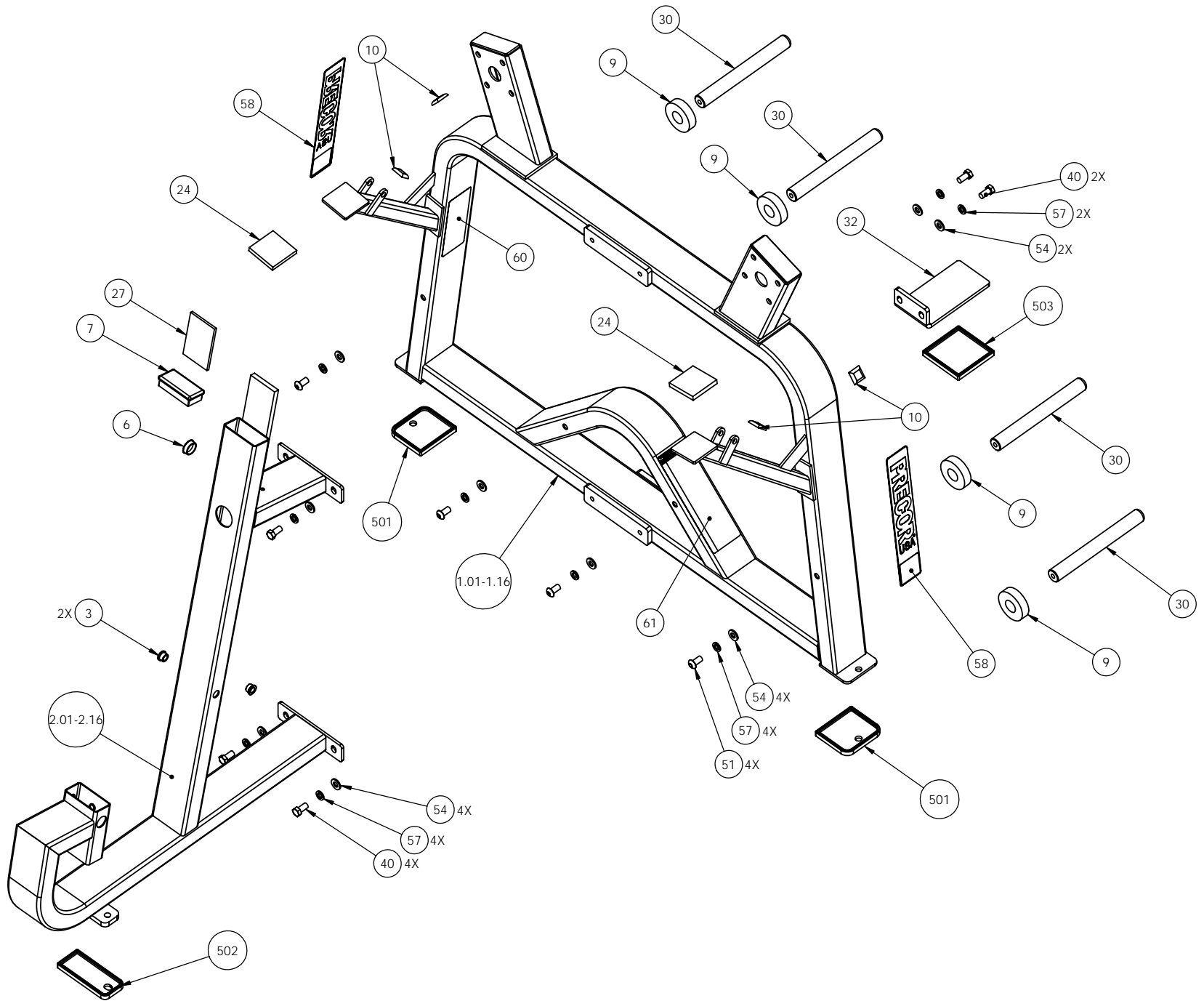


PADS/HARDWARE,
SHEET 3

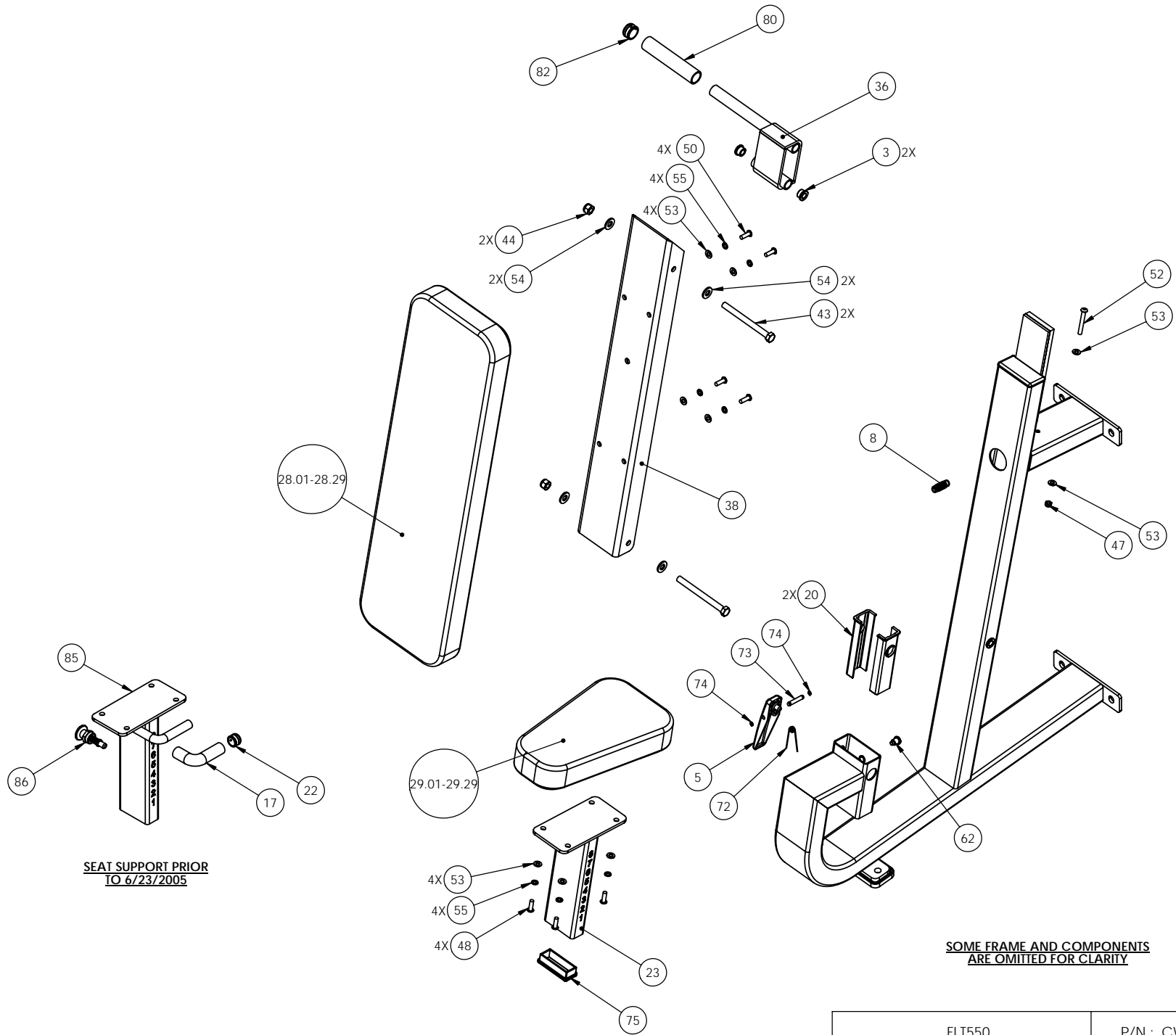
WEIGHT ARMS/HARDWARE,
SHEET 4

FRAME/COMPONENTS,
SHEET 2

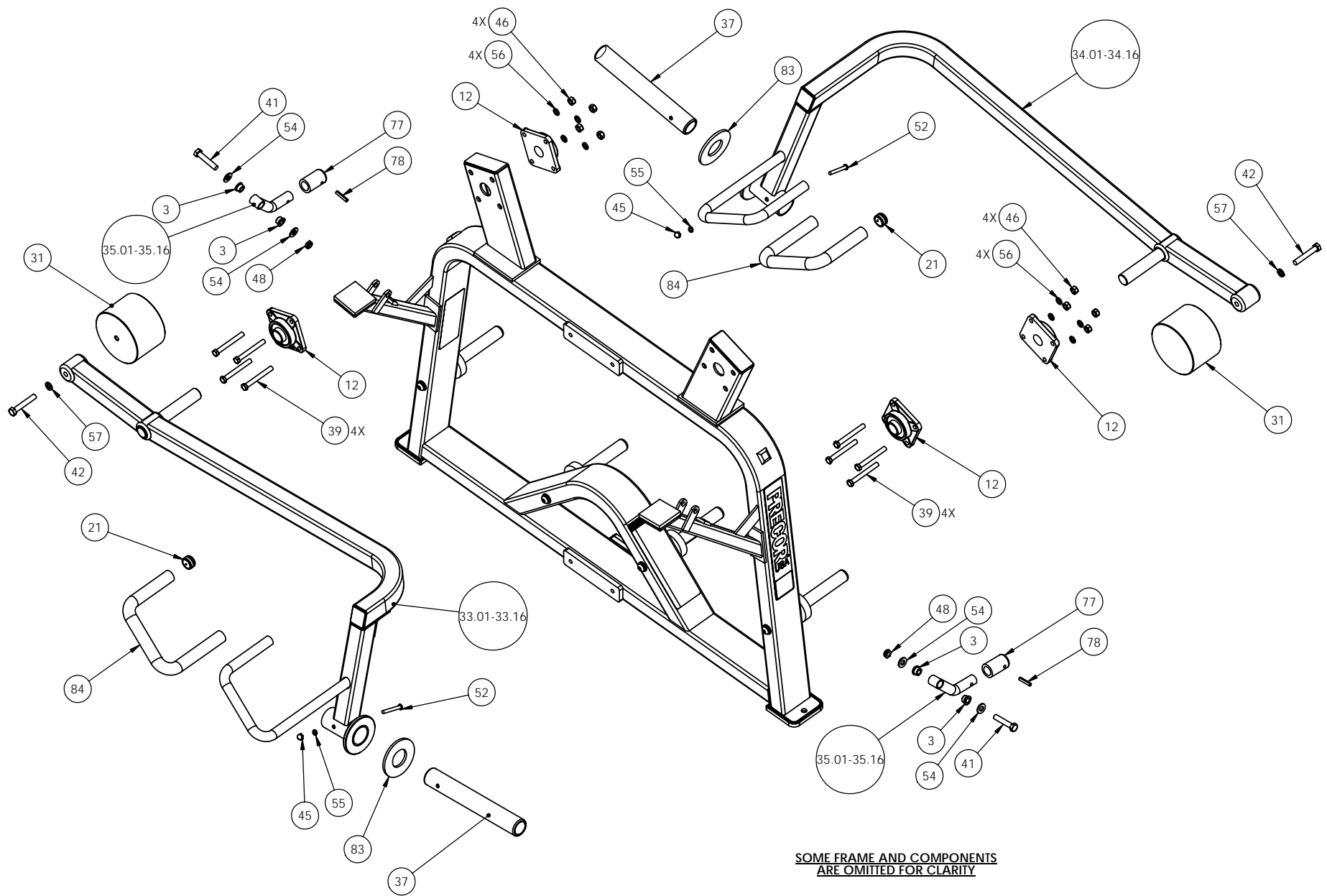
FLT550	P/N : CW31650-102	SUBREV : C
DRAWN BY : CT	DATE : 01.18.06	SHEET 1 OF 4



FLT550	P/N : CW31650-102	SUBREV : C
DRAWN BY : CT	DATE : 01.18.06	SHEET 2 OF 4



FLT550	P/N : CW31650-102	SUBREV : C
DRAWN BY : CT	DATE : 01.18.06	SHEET 3 OF 4



**SOME FRAME AND COMPONENTS
ARE OMITTED FOR CLARITY**

FLT550	P/N : CW31650-102	SUBREV : C
DRAWN BY : CT	DATE : 01.18.06	SHEET 4 OF 4

550 Flite Shoulder Press

Part Number	Description	Bubble Number
CW550SA1-211	ASSY,FRAME,MAIN,FLT550,SKY WHITE	1.01
CW550SA1-221	ASSY,FRAME,MAIN,FLT550,BLACK	1.02
CW550SA1-231	ASSY,FRAME,MAIN,FLT550,RED	1.03
CW550SA1-241	ASSY,FRAME,MAIN,FLT550,PLAT SPRKLE	1.04
CW550SA1-251	ASSY,FRAME,MAIN,FLT550,SILVER	1.05
CW550SA1-261	ASSY,FRAME,MAIN,FLT550,BLUE	1.06
CW550SA1-271	ASSY,FRAME,MAIN,FLT550,CHARCOAL	1.07
CW550SA1-281	ASSY,FRAME,MAIN,FLT550,CATH GRAY	1.08
CW550SA1-291	ASSY,FRAME,MAIN,FLT550,SILVER VIEN	1.09
CW550SA1-311	ASSY,FRAME,MAIN,FLT550,STONE HG	1.11
CW550SA1-321	ASSY,FRAME,MAIN,FLT550,TITANIUM HG	1.12
CW550SA1-331	ASSY,FRAME,MAIN,FLT550,WHITE GLOSS	1.13
CW550SA1-341	ASSY,FRAME,MAIN,FLT550,BLACK ONYX	1.14
CW550SA1-351	ASSY,FRAME,MAIN,FLT550,LT. BRONZE	1.15
CW550SA1-361	ASSY,FRAME,MAIN,FLT550,SAPPHIRE BL	1.16
CW550SA2-212	ASSY,FRAME,SEAT,FLT550,SKY WHITE	2.01
CW550SA2-222	ASSY,FRAME,SEAT,FLT550,BLACK	2.02
CW550SA2-231	ASSY,FRAME,SEAT,FLT550,RED	2.03
CW550SA2-241	ASSY,FRAME,SEAT,FLT550,PLATINUM SPR	2.04
CW550SA2-251	ASSY,FRAME,SEAT,FLT550,SILVER	2.05
CW550SA2-261	ASSY,FRAME,SEAT,FLT550,BLUE	2.06
CW550SA2-271	ASSY,FRAME,SEAT,FLT550,CHARCOAL	2.07
CW550SA2-281	ASSY,FRAME,SEAT,FLT550,CATHEDRAL GR	2.08
CW550SA2-291	ASSY,FRAME,SEAT,FLT550,SILVER VIEN	2.09
CW550SA2-312	ASSY,FRAME,SEAT,FLT550,STONE HG	2.11
CW550SA2-322	ASSY,FRAME,SEAT,FLT550,TITANIUM HG	2.12
CW550SA2-331	ASSY,FRAME,SEAT,FLT550,WHITE GLOSS	2.13
CW550SA2-341	ASSY,FRAME,SEAT,FLT550,BLACK ONYX	2.14
CW550SA2-352	ASSY,FRAME,SEAT,FLT550,LIGHT BRONZE	2.15
CW550SA2-362	ASSY,FRAME,SEAT,FLT550,SAPPHIRE BLU	2.16
CW10043-132	BUSHING, BRONZE, 1/2" ID X 3/4" OD	3
CW10043-132	BUSHING, BRONZE, 1/2" ID X 3/4" OD	4
CW32460-321	ASSY, RATCHETING LEVER, TITANIUM	5
CW11095-105	CAP, PLASTIC, HEYCO, DOME PLUG, 1.2	6
CW11311-102	ENDCAP, REC TUBE, 2X4, BLK PLASTIC	7
CW10077-104	SPRING, TENSION, 1 OD X 4" LENGTH	8
CW12402-101	BUMPER, WEIGHT STACK, BLK RUBBER	9
CW12575-101	MOULDED BUMPON, BLACK, 31.75MM SQ (10
CW12407-101	PILLOW BLOCK, BEARING, FLANGE, 4 BO	12
CWGR2505-000	GRIP,RUBBER,3/4" DIA, 5"	17
CWAC1236-102	GUIDE INSERT, PLASTIC WITH HOLE, BL	20
CWAC220-901	HANDLE END CAP W/SET SCREWS, DIA 3/	22
CW32215-711	ASSEMBLY, SEAT ADJUSTMENT, 8 HOLE,	23
CW30014-109	CREPE, BLK, 7/16 X (3) X (3)	24
CW30013-104	CUT PIECE, CREPE, 1/4 X 3 X 4 5/8	27
CWPD1102J-101	PAD,FLAT,10X36,4HOLES,W/BP,BLACK,W/	28.01
CWPD1102J-102	PAD,FLAT,10X36,4HOLES,W/BP,RYL BL,W	28.02
CWPD1102J-103	PAD,FLAT,10X36,4HOLES,W/BP,DVE GRY,	28.03
CWPD1102J-104	PAD,FLAT,10X36,4HOLES,W/BP,CROCUS,W	28.04

CWPD1102J-105	PAD,FLAT,10X36,4HOLES,W/BP,GROTTO,W	28.05
CWPD1102J-106	PAD,FLAT,10X36,4HOLES,W/BP,GRAPHITE	28.06
CWPD1102J-107	PAD,FLAT,10X36,4HOLES,W/BP,RED,W/SL	28.07
CWPD1102J-108	PAD,FLAT,10X36,4HOLES,W/BP,CHN GRN,	28.08
CWPD1102J-109	PAD,FLAT,10X36,4HOLES,W/BP,TURQSE,W	28.09
CWPD1102J-110	PAD,FLAT,10X36,4HOLES,W/BP,RASP,W/S	28.1
CWPD1102J-111	PAD,FLAT,10X36,4HOLES,W/BP,PLUM,W/S	28.11
CWPD1102J-112	PAD,FLAT,10X36,4HOLES,W/BP,REGIMENT	28.12
CWPD1102J-113	PAD,FLAT,10X36,4HOLES,W/BP,SPC BLUE	28.13
CWPD1102J-115	PAD,FLAT,10X36,4HOLES,W/BP,BLK LTHR	28.15
CWPD1102J-116	PAD,FLAT,10X36,4HOLES,W/BP,NVBL LTH	28.16
CWPD1102J-117	PAD,FLAT,10X36,4HOLES,W/BP,PUTTY,W/	28.17
CWPD1102J-118	PAD,FLAT,10X36,4HOLES,W/BP,IMPRL BL	28.18
CWPD1102J-119	PAD,FLAT,10X36,4HOLES,W/BP,YEW GRN,	28.19
CWPD1102J-120	PAD,FLAT,10X36,4HOLES,W/BP,DSTY JDE	28.2
CWPD1102J-121	PAD,FLAT,10X36,4HLS,W/BP,TRRA CTTA,	28.21
CWPD1102J-122	PAD,FLAT,10X36,4HOLES,W/BP,PAPRIKA,	28.22
CWPD1102J-123	PAD,FLAT,10X36,4HLS,W/BP,ASH LTHR,W	28.23
CWPD1102J-124	PAD,FLAT,10X36,4HL,W/BP,CERULN LTH,	28.24
CWPD1102J-126	PAD,FLAT,10X36,4HLS,W/BP,HUNTER LTH	28.26
CWPD1102J-127	PAD,FLAT,10X36,4HLS,W/BP,MOSS LTH,W	28.27
CWPD1102J-128	PAD,FLAT,10X36,4HLS,W/BP,SPICE LTH,	28.28
CWPD1102J-129	PAD,FLAT,10X36,4HLS,W/BP,TOMATO LTH	28.29
CWPD1207B-101	PAD,5X9X14.5,4HOLES,W/BP,BLACK	29.01
CWPD1207B-102	PAD,5X9X14.5,4HOLES,W/BP,RYL BL	29.02
CWPD1207B-103	PAD,5X9X14.5,4HOLES,W/BP,DVE GRY	29.03
CWPD1207B-104	PAD,5X9X14.5,4HOLES,W/BP,CROCUS	29.04
CWPD1207B-105	PAD,5X9X14.5,4HOLES,W/BP,GROTTO	29.05
CWPD1207B-106	PAD,5X9X14.5,4HOLES,W/BP,GRAPHITE	29.06
CWPD1207B-107	PAD,5X9X14.5,4HOLES,W/BP,RED	29.07
CWPD1207B-108	PAD,5X9X14.5,4HOLES,W/BP,CHN GRN	29.08
CWPD1207B-109	PAD,5X9X14.5,4HOLES,W/BP,TURQSE	29.09
CWPD1207B-110	PAD,5X9X14.5,4HOLES,W/BP,RASP	29.1
CWPD1207B-111	PAD,5X9X14.5,4HOLES,W/BP,PLUM	29.11
CWPD1207B-112	PAD,5X9X14.5,4HOLES,W/BP,REGIMENT	29.12
CWPD1207B-113	PAD,5X9X14.5,4HOLES,W/BP,SPC BLUE	29.13
CWPD1207B-115	PAD,5X9X14.5,4HOLES,W/BP,BLK LTHR	29.15
CWPD1207B-116	PAD,5X9X14.5,4HOLES,W/BP,NVBL LTH	29.16
CWPD1207B-117	PAD,5X9X14.5,4HOLES,W/BP,PUTTY	29.17
CWPD1207B-118	PAD,5X9X14.5,4HOLES,W/BP,IMPRL BL	29.18
CWPD1207B-119	PAD,5X9X14.5,4HOLES,W/BP,YEW GRN	29.19
CWPD1207B-120	PAD,5X9X14.5,4HOLES,W/BP,DSTY JD	29.2
CWPD1207B-121	PAD,5X9X14.5,4HOLES,W/BP,TER COT	29.21
CWPD1207B-122	PAD,5X9X14.5,4HOLES,W/BP,PAPRIKA	29.22
CWPD1207B-123	PAD,5X9X14.5,4HLS,W/BP,ASH LTHR	29.23
CWPD1207B-124	PAD,5X9X14.5,4HLS,W/BP,CERULAN LTHR	29.24
CWPD1207B-126	PAD,5X9X14.5,4HLS,W/BP,HUNTER LTHR	29.26
CWPD1207B-127	PAD,5X9X14.5,4HLS,W/BP,MOSS LTHR	29.27
CWPD1207B-128	PAD,5X9X14.5,4HLS,W/BP,SPICE LTHR	29.28
CWPD1207B-129	PAD,5X9X14.5,4HLS,W/BP,TOMATO LTH	29.29
CWPF1725-741	BAR,STEEL RND, DIA 1 1/4" X (11), 1	30

CWPF3449-721	BAR, STEEL, RND, DIA 6" X 4, 1 HOLE	31
CWPF2219-721	BAR,STEEL, FLAT, 3/8 X 4 X (10), 1	32
CWSA1093-211	ASSY,ARM,LEFT,SKY WHITE	33.01
CWSA1093-221	ASSY,ARM,LEFT,BLACK	33.02
CWSA1093-231	ASSY,ARM,LEFT,RED	33.03
CWSA1093-241	ASSY,ARM,LEFT,PLAT SPKLE	33.04
CWSA1093-251	ASSY,ARM,LEFT,SILVER	33.05
CWSA1093-261	ASSY,ARM,LEFT,BLUE	33.06
CWSA1093-271	ASSY,ARM,LEFT,CHARCOAL	33.07
CWSA1093-281	ASSY,ARM,LEFT,CATH GRY	33.08
CWSA1093-291	ASSY,ARM,LEFT,SILVER VIEN	33.09
CWSA1093-311	ASSY,ARM,LEFT,STONE HG	33.11
CWSA1093-321	ASSY,ARM,LEFT,TITANIUM HG	33.12
CWSA1093-331	ASSY,ARM,LEFT,WHITE GLOSS	33.13
CWSA1093-341	ASSY,ARM,LEFT,BLACK ONYX	33.14
CWSA1093-351	ASSY,ARM,LEFT,LIGHT BRONZE	33.15
CWSA1093-361	ASSY,ARM,LEFT,SAPPHIRE BLUE	33.16
CWSA1094-211	ASSY,ARM,RIGHT,SKY WHITE	34.01
CWSA1094-221	ASSY,ARM,RIGHT,BLACK	34.02
CWSA1094-231	ASSY,ARM,RIGHT,RED	34.03
CWSA1094-241	ASSY,ARM,RIGHT,PLAT SPKLE	34.04
CWSA1094-251	ASSY,ARM,RIGHT,SILVER	34.05
CWSA1094-261	ASSY,ARM,RIGHT,BLUE	34.06
CWSA1094-271	ASSY,ARM,RIGHT,CHARCOAL	34.07
CWSA1094-281	ASSY,ARM,RIGHT,CATH GRY	34.08
CWSA1094-291	ASSY,ARM,RIGHT,SILVER VIEN	34.09
CWSA1094-311	ASSY,ARM,RIGHT,STONE HG	34.11
CWSA1094-321	ASSY,ARM,RIGHT,TITANIUM HG	34.12
CWSA1094-331	ASSY,ARM,RIGHT,WHITE GLOSS	34.13
CWSA1094-341	ASSY,ARM,RIGHT,BLACK ONYX	34.14
CWSA1094-351	ASSY,ARM,RIGHT,LIGHT BRONZE	34.15
CWSA1094-361	ASSY,ARM,RIGHT,SAPPHIRE BLUE	34.16
CWSA1095-211	ASSY, SWIVEL HEIGHT ADJ, SKY WHITE	35.01
CWSA1095-221	ASSY, SWIVEL HEIGHT ADJ, BLACK	35.02
CWSA1095-231	ASSY, SWIVEL HEIGHT ADJ, RED	35.03
CWSA1095-241	ASSY, SWIVEL HEIGHT ADJ, PLAT SPKLE	35.04
CWSA1095-251	ASSY, SWIVEL HEIGHT ADJ, SILVER	35.05
CWSA1095-261	ASSY, SWIVEL HEIGHT ADJ, BLUE	35.06
CWSA1095-271	ASSY, SWIVEL HEIGHT ADJ, CHARCOAL	35.07
CWSA1095-281	ASSY, SWIVEL HEIGHT ADJ, CATHGRAY	35.08
CWSA1095-291	ASSY, SWIVEL HEIGHT ADJ, SILVER VIE	35.09
CWSA1095-311	ASSY, SWIVEL HEIGHT ADJ, STONE HG	35.11
CWSA1095-321	ASSY, SWIVEL HEIGHT ADJ, TITANIUM H	35.12
CWSA1095-331	ASSY, SWIVEL HEIGHT ADJ, WHITE GLOS	35.13
CWSA1095-341	ASSY, SWIVEL HEIGHT ADJ, BLACK ONYX	35.14
CWSA1095-351	ASSY, SWIVEL HEIGHT ADJ, LIGHT BRON	35.15
CWSA1095-361	ASSY, SWIVEL HEIGHT ADJ, SAPPHIRE B	35.16
CWSA2006-721	ASSY, TILT ADJUST, FLT541, WRKL BLK	36
CWSA2042-741	ASSY, WEIGHT HOLDER,	37
CWSA2050-721	ASSY,ADJUSTABLE BACK PAD FRAME,FLT5	38
CWHCYN044-375	SCREW, HEX HEAD , BLK XYL	39

CWHCYN050-100	SCREW,HEX HEAD,BLK XYLAN,1/2-13 X 1	40
CWHCYN050-250	SCREW, HEX HEAD, BLK XYLAN, 1/2-13	41
CWHCYN050-300	SCREW, HEX HEAD, BLK XYLAN, 1/2-13	42
CWHCYN050-550	SCREW, HEX,BLK, 1/2-13 X 5 1/2	43
CWKDYN050-059	LOCKNUT, NYLON INSERT, FULL, UNC, 1	44
CWKADLN031-053	NUT, ACORN, 5/16-18	45
CWKMYN044-038	NUT, HEX, UNC, 7/16-14, BLK XYLAN	46
CWKAYN031-025	LOCKNUT, NYLON INSERT, HALF, UNC,	47
CWKAYN050-031	LOCKNUT, NYLON INSERT, HALF, UNC, 1	48
CWTAYN031-100	SCREW, BUTTON HEAD, BLK XYLAN, 5/1	50
CWTAYN050-100	SCREW, BUTTON HEAD, BLK XYLAN, 1/2	51
CWTAYN031-250	SCREW, BUTTON HEAD, BLK XYLAN, 5/	52
CWWBKN031-007	WASHER, FLAT, TYPE A, SAE, 5/16 ID	53
CWWBKN050-010	WASHER, FLAT, TYPE A, SAE, 1/2 ID X	54
CWWALYN031-008	WASHER, SPLIT, 5/16 ID, BL	55
CWWALYN044-011	WASHER, SPLIT, 7/16 ID, BLK XYLAN	56
CWWALYN050-013	WASHER, SPLIT, 1/2 ID, BLK XYLAN	57
CW31756-101	LABEL, PRECOR USA ICARIAN LINE	58
CW30010-101	LABEL,WARNING STRENGTH	60
CW30071-101	LABEL,INSTRUCTION,FLT550	61
CW31784-731	STOP PLUG, BLK ZN	62
CW12634-101	SPRING, TORSION 90 DEG X 0.484 X 0.	72
CW31770-742	LATCH PIVOTING PIN, CLR ZN	73
CWAMNN028-003	RING, RETAINING, 2-TURN, SPIRAL, SS	74
CW12633-101	ENDCAP, REC TUBE, LDP, 1 1/2 X 3 1	75
CWCP1017-101	CUT PIECE, UHMW, 1 1/2 OD X 1 ID X	77
CWLDNN031-150	PIN, ROLL, DIA. 5/16 X 1 1/2	78
CWGR2606-000	GRIP,RUBBER, 1" DIA, 6"	80
CWAC218-901	HANDLE END CAP W/SET SCREWS, DIA 1"	82
CWCP1002-101	CUT PIECE, CREPE, 1/4 X 2 ID X 4 1/	83
CWGR2621-000	GRIP,RUBBER, 1" DIA, 21"	84
CW31657-711	ASSY, SEAT ADJ., 8 HOLE, CHROME	85
CW30165-751	ASSY, POP PIN, 0.450 DIA HANDLE, B	86
CWAC1177-101	FLOOR PROTECTOR, RUBBER, 4.563 X 4.	501
CWAC1178-101	FLOOR PROTECTOR, RUBBER, 2.563 X 6.	502
CWAC1181-101	FLOOR PROTECTOR, RUBBER, 4.563 X 4.	503

550 Flite Shoulder Press

Part Number	Description	Bubble Number
CW550SA1-211	ASSY,FRAME,MAIN,FLT550,SKY WHITE	1.01
CW550SA1-221	ASSY,FRAME,MAIN,FLT550,BLACK	1.02
CW550SA1-231	ASSY,FRAME,MAIN,FLT550,RED	1.03
CW550SA1-241	ASSY,FRAME,MAIN,FLT550,PLAT SPRKLE	1.04
CW550SA1-251	ASSY,FRAME,MAIN,FLT550,SILVER	1.05
CW550SA1-261	ASSY,FRAME,MAIN,FLT550,BLUE	1.06
CW550SA1-271	ASSY,FRAME,MAIN,FLT550,CHARCOAL	1.07
CW550SA1-281	ASSY,FRAME,MAIN,FLT550,CATH GRAY	1.08
CW550SA1-291	ASSY,FRAME,MAIN,FLT550,SILVER VIEN	1.09
CW550SA1-311	ASSY,FRAME,MAIN,FLT550,STONE HG	1.11
CW550SA1-321	ASSY,FRAME,MAIN,FLT550,TITANIUM HG	1.12
CW550SA1-331	ASSY,FRAME,MAIN,FLT550,WHITE GLOSS	1.13
CW550SA1-341	ASSY,FRAME,MAIN,FLT550,BLACK ONYX	1.14
CW550SA1-351	ASSY,FRAME,MAIN,FLT550,LT. BRONZE	1.15
CW550SA1-361	ASSY,FRAME,MAIN,FLT550,SAPPHIRE BL	1.16
CW550SA2-212	ASSY,FRAME,SEAT,FLT550,SKY WHITE	2.01
CW550SA2-222	ASSY,FRAME,SEAT,FLT550,BLACK	2.02
CW550SA2-231	ASSY,FRAME,SEAT,FLT550,RED	2.03
CW550SA2-241	ASSY,FRAME,SEAT,FLT550,PLATINUM SPR	2.04
CW550SA2-251	ASSY,FRAME,SEAT,FLT550,SILVER	2.05
CW550SA2-261	ASSY,FRAME,SEAT,FLT550,BLUE	2.06
CW550SA2-271	ASSY,FRAME,SEAT,FLT550,CHARCOAL	2.07
CW550SA2-281	ASSY,FRAME,SEAT,FLT550,CATHEDRAL GR	2.08
CW550SA2-291	ASSY,FRAME,SEAT,FLT550,SILVER VIEN	2.09
CW550SA2-312	ASSY,FRAME,SEAT,FLT550,STONE HG	2.11
CW550SA2-322	ASSY,FRAME,SEAT,FLT550,TITANIUM HG	2.12
CW550SA2-331	ASSY,FRAME,SEAT,FLT550,WHITE GLOSS	2.13
CW550SA2-341	ASSY,FRAME,SEAT,FLT550,BLACK ONYX	2.14
CW550SA2-352	ASSY,FRAME,SEAT,FLT550,LIGHT BRONZE	2.15
CW550SA2-362	ASSY,FRAME,SEAT,FLT550,SAPPHIRE BLU	2.16
CW10043-132	BUSHING, BRONZE, 1/2" ID X 3/4" OD	3
CW10043-132	BUSHING, BRONZE, 1/2" ID X 3/4" OD	4
CW32460-321	ASSY, RATCHETING LEVER, TITANIUM	5
CW11095-105	CAP, PLASTIC, HEYCO, DOME PLUG, 1.2	6
CW11311-102	ENDCAP, REC TUBE, 2X4, BLK PLASTIC	7
CW10077-104	SPRING, TENSION, 1 OD X 4" LENGTH	8
CW12402-101	BUMPER, WEIGHT STACK, BLK RUBBER	9
CW12575-101	MOULDED BUMPON, BLACK, 31.75MM SQ (10
CW12407-101	PILLOW BLOCK, BEARING, FLANGE, 4 BO	12
CWGR2505-000	GRIP,RUBBER,3/4" DIA, 5"	17
CWAC1236-102	GUIDE INSERT, PLASTIC WITH HOLE, BL	20
CWAC220-901	HANDLE END CAP W/SET SCREWS, DIA 3/	22
CW32215-711	ASSEMBLY, SEAT ADJUSTMENT, 8 HOLE,	23
CW30014-109	CREPE, BLK, 7/16 X (3) X (3)	24
CW30013-104	CUT PIECE, CREPE, 1/4 X 3 X 4 5/8	27
CWPD1102J-101	PAD,FLAT,10X36,4HOLES,W/BP,BLACK,W/	28.01
CWPD1102J-102	PAD,FLAT,10X36,4HOLES,W/BP,RYL BL,W	28.02
CWPD1102J-103	PAD,FLAT,10X36,4HOLES,W/BP,DVE GRY,	28.03
CWPD1102J-104	PAD,FLAT,10X36,4HOLES,W/BP,CROCUS,W	28.04

CWPD1102J-105	PAD,FLAT,10X36,4HOLES,W/BP,GROTTO,W	28.05
CWPD1102J-106	PAD,FLAT,10X36,4HOLES,W/BP,GRAPHITE	28.06
CWPD1102J-107	PAD,FLAT,10X36,4HOLES,W/BP,RED,W/SL	28.07
CWPD1102J-108	PAD,FLAT,10X36,4HOLES,W/BP,CHN GRN,	28.08
CWPD1102J-109	PAD,FLAT,10X36,4HOLES,W/BP,TURQSE,W	28.09
CWPD1102J-110	PAD,FLAT,10X36,4HOLES,W/BP,RASP,W/S	28.1
CWPD1102J-111	PAD,FLAT,10X36,4HOLES,W/BP,PLUM,W/S	28.11
CWPD1102J-112	PAD,FLAT,10X36,4HOLES,W/BP,REGIMENT	28.12
CWPD1102J-113	PAD,FLAT,10X36,4HOLES,W/BP,SPC BLUE	28.13
CWPD1102J-115	PAD,FLAT,10X36,4HOLES,W/BP,BLK LTHR	28.15
CWPD1102J-116	PAD,FLAT,10X36,4HOLES,W/BP,NVBL LTH	28.16
CWPD1102J-117	PAD,FLAT,10X36,4HOLES,W/BP,PUTTY,W/	28.17
CWPD1102J-118	PAD,FLAT,10X36,4HOLES,W/BP,IMPRL BL	28.18
CWPD1102J-119	PAD,FLAT,10X36,4HOLES,W/BP,YEW GRN,	28.19
CWPD1102J-120	PAD,FLAT,10X36,4HOLES,W/BP,DSTY JDE	28.2
CWPD1102J-121	PAD,FLAT,10X36,4HLS,W/BP,TRRA CTTA,	28.21
CWPD1102J-122	PAD,FLAT,10X36,4HOLES,W/BP,PAPRIKA,	28.22
CWPD1102J-123	PAD,FLAT,10X36,4HLS,W/BP,ASH LTHR,W	28.23
CWPD1102J-124	PAD,FLAT,10X36,4HL,W/BP,CERULN LTH,	28.24
CWPD1102J-126	PAD,FLAT,10X36,4HLS,W/BP,HUNTER LTH	28.26
CWPD1102J-127	PAD,FLAT,10X36,4HLS,W/BP,MOSS LTH,W	28.27
CWPD1102J-128	PAD,FLAT,10X36,4HLS,W/BP,SPICE LTH,	28.28
CWPD1102J-129	PAD,FLAT,10X36,4HLS,W/BP,TOMATO LTH	28.29
CWPD1207B-101	PAD,5X9X14.5,4HOLES,W/BP,BLACK	29.01
CWPD1207B-102	PAD,5X9X14.5,4HOLES,W/BP,RYL BL	29.02
CWPD1207B-103	PAD,5X9X14.5,4HOLES,W/BP,DVE GRY	29.03
CWPD1207B-104	PAD,5X9X14.5,4HOLES,W/BP,CROCUS	29.04
CWPD1207B-105	PAD,5X9X14.5,4HOLES,W/BP,GROTTO	29.05
CWPD1207B-106	PAD,5X9X14.5,4HOLES,W/BP,GRAPHITE	29.06
CWPD1207B-107	PAD,5X9X14.5,4HOLES,W/BP,RED	29.07
CWPD1207B-108	PAD,5X9X14.5,4HOLES,W/BP,CHN GRN	29.08
CWPD1207B-109	PAD,5X9X14.5,4HOLES,W/BP,TURQSE	29.09
CWPD1207B-110	PAD,5X9X14.5,4HOLES,W/BP,RASP	29.1
CWPD1207B-111	PAD,5X9X14.5,4HOLES,W/BP,PLUM	29.11
CWPD1207B-112	PAD,5X9X14.5,4HOLES,W/BP,REGIMENT	29.12
CWPD1207B-113	PAD,5X9X14.5,4HOLES,W/BP,SPC BLUE	29.13
CWPD1207B-115	PAD,5X9X14.5,4HOLES,W/BP,BLK LTHR	29.15
CWPD1207B-116	PAD,5X9X14.5,4HOLES,W/BP,NVBL LTH	29.16
CWPD1207B-117	PAD,5X9X14.5,4HOLES,W/BP,PUTTY	29.17
CWPD1207B-118	PAD,5X9X14.5,4HOLES,W/BP,IMPRL BL	29.18
CWPD1207B-119	PAD,5X9X14.5,4HOLES,W/BP,YEW GRN	29.19
CWPD1207B-120	PAD,5X9X14.5,4HOLES,W/BP,DSTY JD	29.2
CWPD1207B-121	PAD,5X9X14.5,4HOLES,W/BP,TER COT	29.21
CWPD1207B-122	PAD,5X9X14.5,4HOLES,W/BP,PAPRIKA	29.22
CWPD1207B-123	PAD,5X9X14.5,4HLS,W/BP,ASH LTHR	29.23
CWPD1207B-124	PAD,5X9X14.5,4HLS,W/BP,CERULAN LTHR	29.24
CWPD1207B-126	PAD,5X9X14.5,4HLS,W/BP,HUNTER LTHR	29.26
CWPD1207B-127	PAD,5X9X14.5,4HLS,W/BP,MOSS LTHR	29.27
CWPD1207B-128	PAD,5X9X14.5,4HLS,W/BP,SPICE LTHR	29.28
CWPD1207B-129	PAD,5X9X14.5,4HLS,W/BP,TOMATO LTH	29.29
CWPF1725-741	BAR,STEEL RND, DIA 1 1/4" X (11), 1	30

CWPF3449-721	BAR, STEEL, RND, DIA 6" X 4, 1 HOLE	31
CWPF2219-721	BAR,STEEL, FLAT, 3/8 X 4 X (10), 1	32
CWSA1093-211	ASSY,ARM,LEFT,SKY WHITE	33.01
CWSA1093-221	ASSY,ARM,LEFT,BLACK	33.02
CWSA1093-231	ASSY,ARM,LEFT,RED	33.03
CWSA1093-241	ASSY,ARM,LEFT,PLAT SPKLE	33.04
CWSA1093-251	ASSY,ARM,LEFT,SILVER	33.05
CWSA1093-261	ASSY,ARM,LEFT,BLUE	33.06
CWSA1093-271	ASSY,ARM,LEFT,CHARCOAL	33.07
CWSA1093-281	ASSY,ARM,LEFT,CATH GRY	33.08
CWSA1093-291	ASSY,ARM,LEFT,SILVER VIEN	33.09
CWSA1093-311	ASSY,ARM,LEFT,STONE HG	33.11
CWSA1093-321	ASSY,ARM,LEFT,TITANIUM HG	33.12
CWSA1093-331	ASSY,ARM,LEFT,WHITE GLOSS	33.13
CWSA1093-341	ASSY,ARM,LEFT,BLACK ONYX	33.14
CWSA1093-351	ASSY,ARM,LEFT,LIGHT BRONZE	33.15
CWSA1093-361	ASSY,ARM,LEFT,SAPPHIRE BLUE	33.16
CWSA1094-211	ASSY,ARM,RIGHT,SKY WHITE	34.01
CWSA1094-221	ASSY,ARM,RIGHT,BLACK	34.02
CWSA1094-231	ASSY,ARM,RIGHT,RED	34.03
CWSA1094-241	ASSY,ARM,RIGHT,PLAT SPKLE	34.04
CWSA1094-251	ASSY,ARM,RIGHT,SILVER	34.05
CWSA1094-261	ASSY,ARM,RIGHT,BLUE	34.06
CWSA1094-271	ASSY,ARM,RIGHT,CHARCOAL	34.07
CWSA1094-281	ASSY,ARM,RIGHT,CATH GRY	34.08
CWSA1094-291	ASSY,ARM,RIGHT,SILVER VIEN	34.09
CWSA1094-311	ASSY,ARM,RIGHT,STONE HG	34.11
CWSA1094-321	ASSY,ARM,RIGHT,TITANIUM HG	34.12
CWSA1094-331	ASSY,ARM,RIGHT,WHITE GLOSS	34.13
CWSA1094-341	ASSY,ARM,RIGHT,BLACK ONYX	34.14
CWSA1094-351	ASSY,ARM,RIGHT,LIGHT BRONZE	34.15
CWSA1094-361	ASSY,ARM,RIGHT,SAPPHIRE BLUE	34.16
CWSA1095-211	ASSY, SWIVEL HEIGHT ADJ, SKY WHITE	35.01
CWSA1095-221	ASSY, SWIVEL HEIGHT ADJ, BLACK	35.02
CWSA1095-231	ASSY, SWIVEL HEIGHT ADJ, RED	35.03
CWSA1095-241	ASSY, SWIVEL HEIGHT ADJ, PLAT SPKLE	35.04
CWSA1095-251	ASSY, SWIVEL HEIGHT ADJ, SILVER	35.05
CWSA1095-261	ASSY, SWIVEL HEIGHT ADJ, BLUE	35.06
CWSA1095-271	ASSY, SWIVEL HEIGHT ADJ, CHARCOAL	35.07
CWSA1095-281	ASSY, SWIVEL HEIGHT ADJ, CATHGRAY	35.08
CWSA1095-291	ASSY, SWIVEL HEIGHT ADJ, SILVER VIE	35.09
CWSA1095-311	ASSY, SWIVEL HEIGHT ADJ, STONE HG	35.11
CWSA1095-321	ASSY, SWIVEL HEIGHT ADJ, TITANIUM H	35.12
CWSA1095-331	ASSY, SWIVEL HEIGHT ADJ, WHITE GLOS	35.13
CWSA1095-341	ASSY, SWIVEL HEIGHT ADJ, BLACK ONYX	35.14
CWSA1095-351	ASSY, SWIVEL HEIGHT ADJ, LIGHT BRON	35.15
CWSA1095-361	ASSY, SWIVEL HEIGHT ADJ, SAPPHIRE B	35.16
CWSA2006-721	ASSY, TILT ADJUST, FLT541, WRKL BLK	36
CWSA2042-741	ASSY, WEIGHT HOLDER,	37
CWSA2050-721	ASSY,ADJUSTABLE BACK PAD FRAME,FLT5	38
CWHCYN044-375	SCREW, HEX HEAD , BLK XYL A	39

CWHCYN050-100	SCREW,HEX HEAD,BLK XYLAN,1/2-13 X 1	40
CWHCYN050-250	SCREW, HEX HEAD, BLK XYLAN, 1/2-13	41
CWHCYN050-300	SCREW, HEX HEAD, BLK XYLAN, 1/2-13	42
CWHCYN050-550	SCREW, HEX,BLK, 1/2-13 X 5 1/2	43
CWKDYN050-059	LOCKNUT, NYLON INSERT, FULL, UNC, 1	44
CWKADLN031-053	NUT, ACORN, 5/16-18	45
CWKMYN044-038	NUT, HEX, UNC, 7/16-14, BLK XYLAN	46
CWKAYN031-025	LOCKNUT, NYLON INSERT, HALF, UNC,	47
CWKAYN050-031	LOCKNUT, NYLON INSERT, HALF, UNC, 1	48
CWTAYN031-100	SCREW, BUTTON HEAD, BLK XYLAN, 5/1	50
CWTAYN050-100	SCREW, BUTTON HEAD, BLK XYLAN, 1/2	51
CWTAYN031-250	SCREW, BUTTON HEAD, BLK XYLAN, 5/	52
CWWBKN031-007	WASHER, FLAT, TYPE A, SAE, 5/16 ID	53
CWWBKN050-010	WASHER, FLAT, TYPE A, SAE, 1/2 ID X	54
CWWALYN031-008	WASHER, SPLIT, 5/16 ID, BL	55
CWWALYN044-011	WASHER, SPLIT, 7/16 ID, BLK XYLAN	56
CWWALYN050-013	WASHER, SPLIT, 1/2 ID, BLK XYLAN	57
CW31756-101	LABEL, PRECOR USA ICARIAN LINE	58
CW30010-101	LABEL,WARNING STRENGTH	60
CW30071-101	LABEL,INSTRUCTION,FLT550	61
CW31784-731	STOP PLUG, BLK ZN	62
CW12634-101	SPRING, TORSION 90 DEG X 0.484 X 0.	72
CW31770-742	LATCH PIVOTING PIN, CLR ZN	73
CWAMNN028-003	RING, RETAINING, 2-TURN, SPIRAL, SS	74
CW12633-101	ENDCAP, REC TUBE, LDP, 1 1/2 X 3 1	75
CWCP1017-101	CUT PIECE, UHMW, 1 1/2 OD X 1 ID X	77
CWLDNN031-150	PIN, ROLL, DIA. 5/16 X 1 1/2	78
CWGR2606-000	GRIP,RUBBER, 1" DIA, 6"	80
CWAC218-901	HANDLE END CAP W/SET SCREWS, DIA 1"	82
CWCP1002-101	CUT PIECE, CREPE, 1/4 X 2 ID X 4 1/	83
CWGR2621-000	GRIP,RUBBER, 1" DIA, 21"	84
CW31657-711	ASSY, SEAT ADJ., 8 HOLE, CHROME	85
CW30165-751	ASSY, POP PIN, 0.450 DIA HANDLE, B	86
CWAC1177-101	FLOOR PROTECTOR, RUBBER, 4.563 X 4.	501
CWAC1178-101	FLOOR PROTECTOR, RUBBER, 2.563 X 6.	502
CWAC1181-101	FLOOR PROTECTOR, RUBBER, 4.563 X 4.	503